

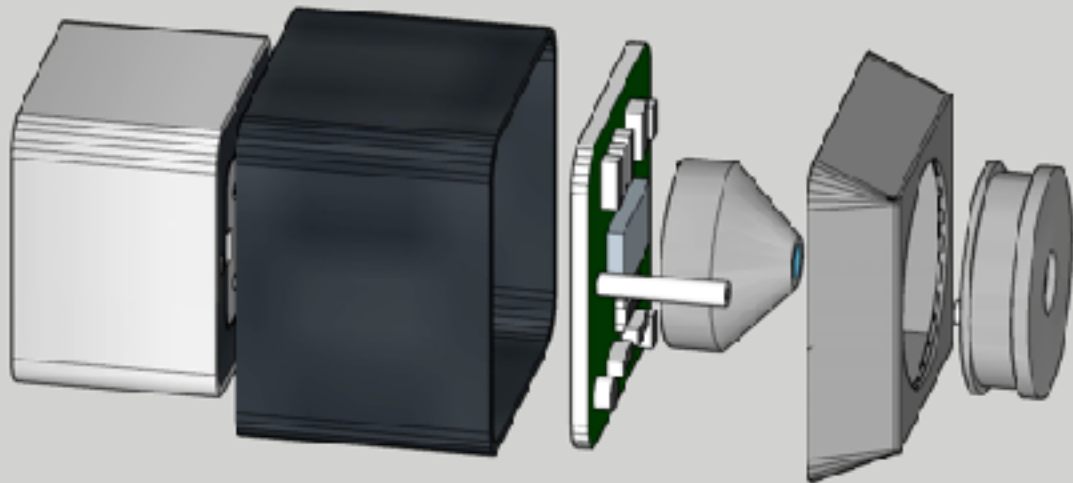


NEED Increasing amount of cameras for ADAS and 360 degree surroundings observation in vehicles are missing a simple yet reliable method for keeping the camera images clear, at all times.

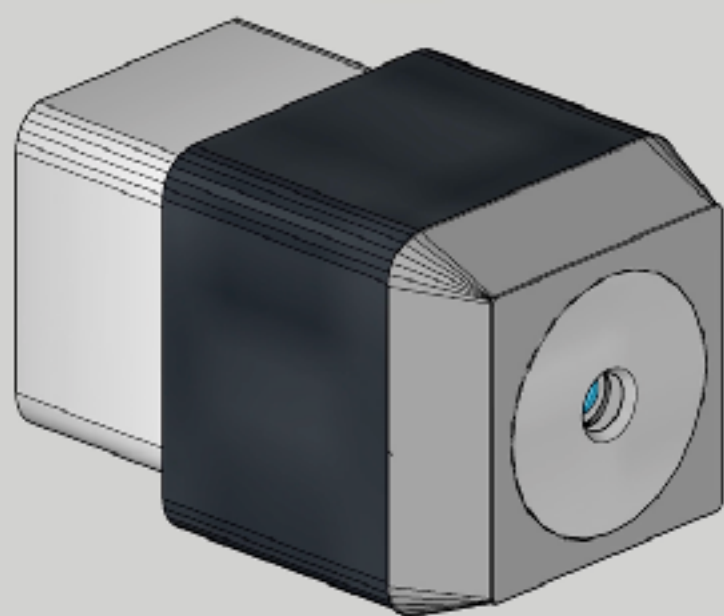
BENEFITS The TGI C-TRUE design offers a compact size combined with aesthetic minimalistic outlook. No moving parts & no need for fluids —> Zero Maintenance requirement.

COMPETITION The most common practise is to have no dirt prevention at all, meaning that the user has to manually clean the cameras. Next common solutions are fluid-based washing systems. These are far from perfect. Either the safety is compromised or at least the user experience is poor.

APPROACH TecGyver Innovations has developed* a game changing solution for automotive camera dirt prevention. It combines the human mimicking optical design with air purge mechanics. Optionally it can be equipped with ultrasonic debris removal & automatic purge by air.



Reference Design for Illustrative Purposes Only



Reliable -
Contains Zero Moving Parts

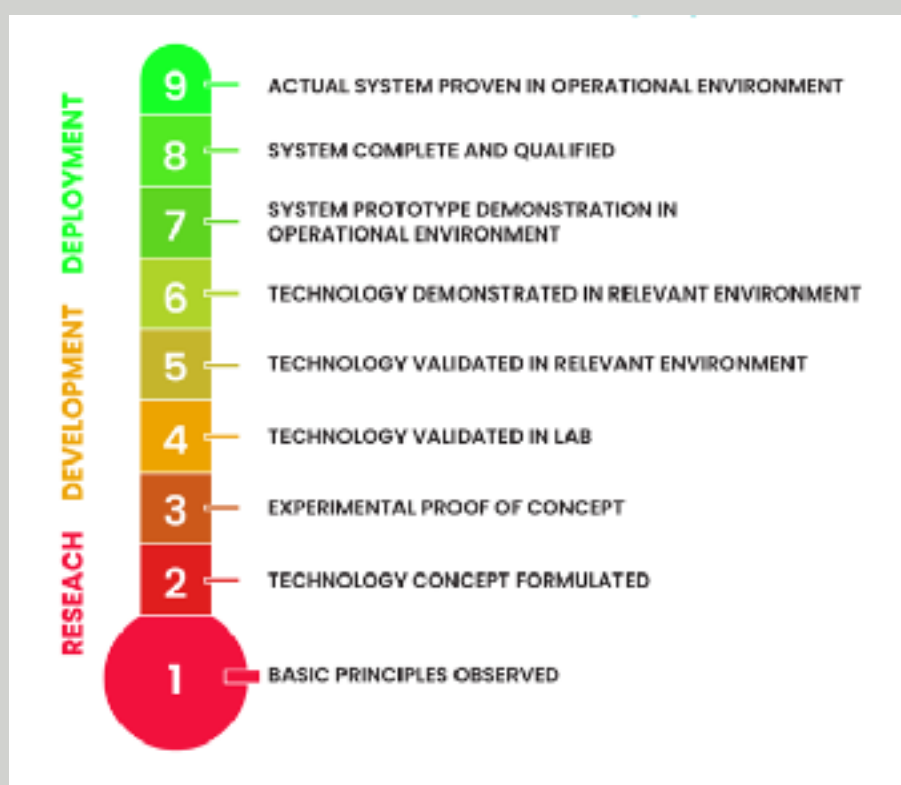
Proactive -
Continuous Dirt Prevention

Minimalistic -
Requires Just a Small Opening

Easy & Clean -
No Fluids or Other Cleaning Agents Required



Left image: camera image without C-TRUE
Right image: C-TRUE integrated camera
Environmental conditions were identical for both cameras



Technology Readiness Level (TRL): 6/7

- Technology Demonstration Readiness
- Key Component Prototype Performance Verified in both Lab & Operational Environment**
- Next Iterative Step: System Level Engineering & Pilot

WANTED:
Partners for System Level Pilots

Contact us for discussions about core technology adaptation for Your application.